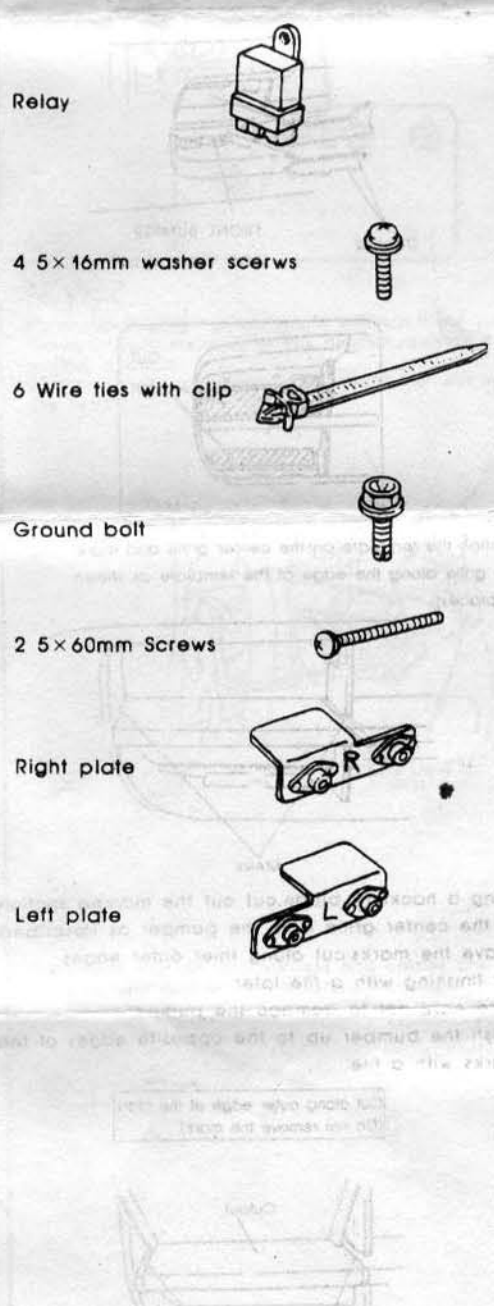
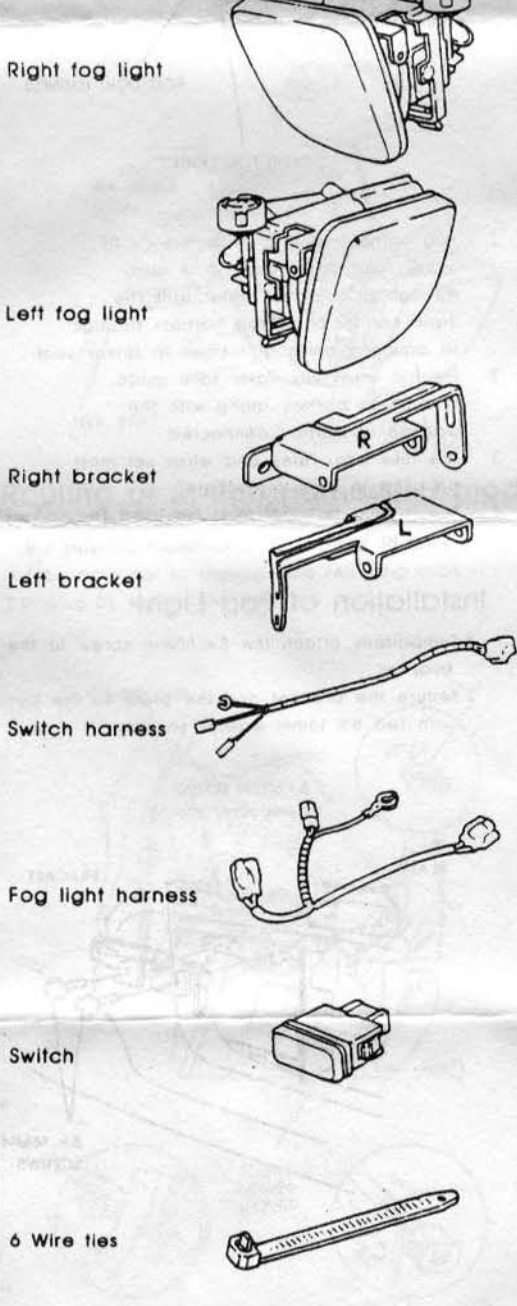


HONDA ALL NEW CIVIC 1996

INSTALLATION INSTRUCTIONS

PARTS LIST

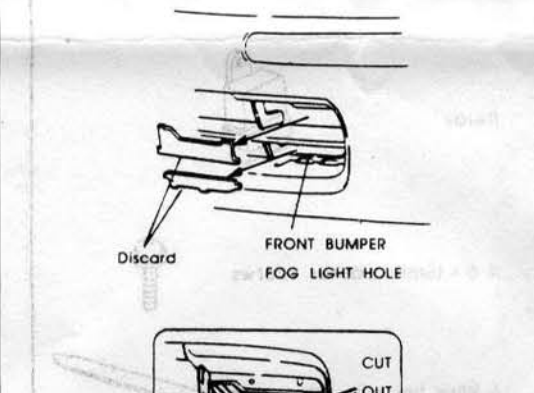


1

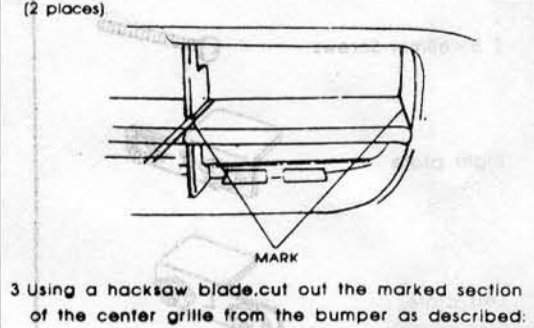
Cutting of Front Bumper

These instructions are for the left side of the car. The same procedure applies to the right side.

1 Cut the bumper along the line with a utility knife or hacksaw blade (8 places). To prevent injury, wear gloves and work carefully when cutting the bumper.



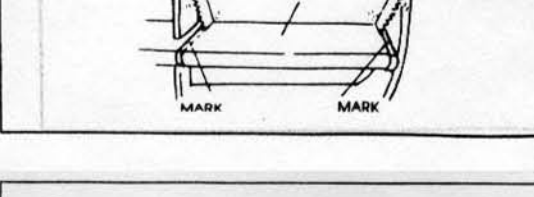
2 Position the template on the center grille and mark the grille along the edge of the template as shown (2 places).



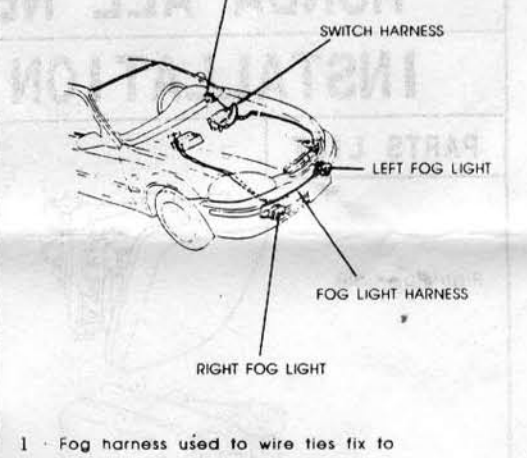
3 Using a hacksaw blade, cut out the marked section of the center grille, cut out the bumper as described:

- Leave the marks; cut along their outer edges for finishing with a file later.
- Take care not to damage the bumper.

4 Finish the bumper to up to the opposite edges of the marks with a file.



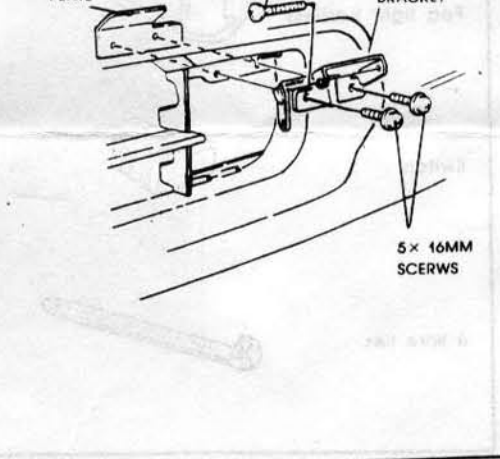
Routing Fog Light Harness (LH model)



- 1 - Fog harness used to wire ties fix to water tank of advance hole also, through to aside of water tank. The 1-pin connector of fog harness through to advance holes of rubber to driver seat.
- 2 - Electric wires via water tank aside through to battery along with the positive of battery connected.
- 3 - The fuse box, relay and wires set must be used to wire ties secure.
- 4 - The ground terminal must be used to screw to lock.

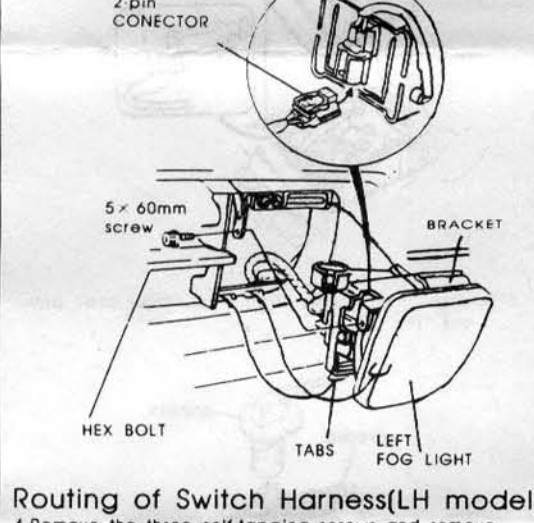
Installation of Fog Light

- 1 Temporarily attach the 5 x 60mm screw to the bracket.
- 2 Secure the bracket and the plate to the bumper with two 5 x 16mm washer screws.

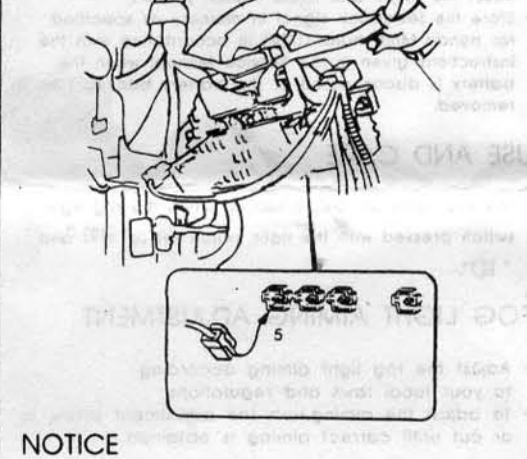


2

- 3 Plug the 2-pin connector of the fog light harness into the 2-pin connector from the left fog light.
- 4 Insert two tabs of the left fog light to the bumper hole and hook the bracket of the left fog light on the 5 x 60mm screw.
- 5 Secure the fog light to the bracket with the hex bolt.
- 6 Tighten the 5 x 60mm screw.



- 3 Attach the fuse label to the fuse box of the switch harness.
- 4 Plug the 4-pin connectors of the switch harness to the fuse box in the area as shown.

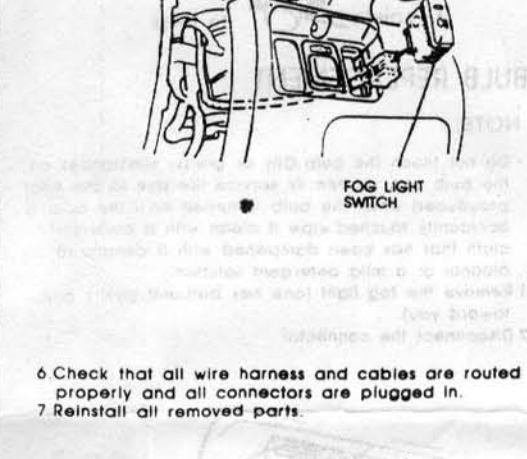
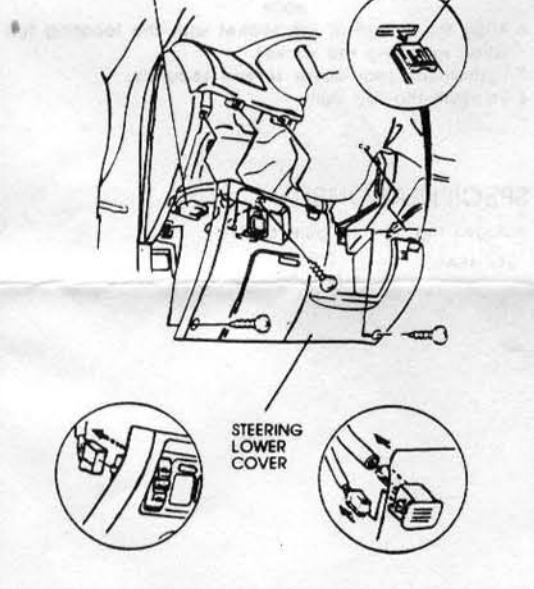


NOTICE
Install the fog light switch in this position. If the sunroof switch already installed in this position, reinstall it another position.

- 5 Plug the 6-pin connector of the switch harness into the switch.

Routing of Switch Harness (LH model)

- 1 Remove the three self-tapping screws and remove the steering lower cover by pulling it toward you.
- 2 Unplug all connectors from the cover.



- 6 Check that all wire harness and cables are routed properly and all connectors are plugged in.
- 7 Reinstall all removed parts.

3

INSPECTION

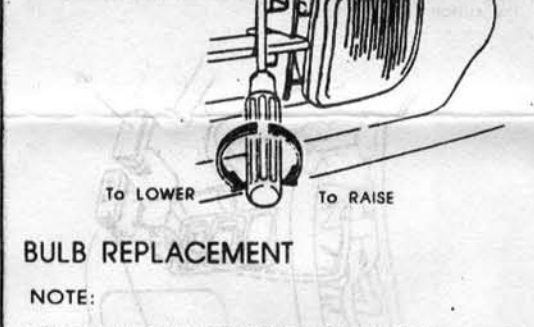
- Connect the negative cable to the battery.
- Check operation of the headlights, turn signals, etc.
- Reset the clock and radio stations, presets.
- Store the feedback signal in memory as specified for Honda Multi-matic (CTV) in accordance with the instructions given in the Service Manual when the battery is disconnected or the battery backup fuse is removed.

USE AND CARE

- The fog lights will be turned on when the fog light switch pressed with the light switch set to "FOG" and "ID".

FOG LIGHT AIMING ADJUSTMENT

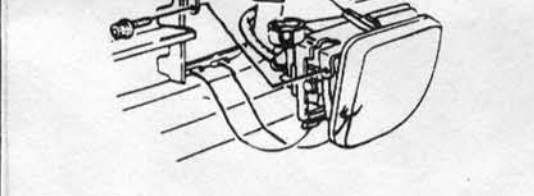
- Adjust the fog light aiming according to your local laws and regulations.
- To adjust the aiming, turn the adjustment screw in or out until correct aiming is obtained.



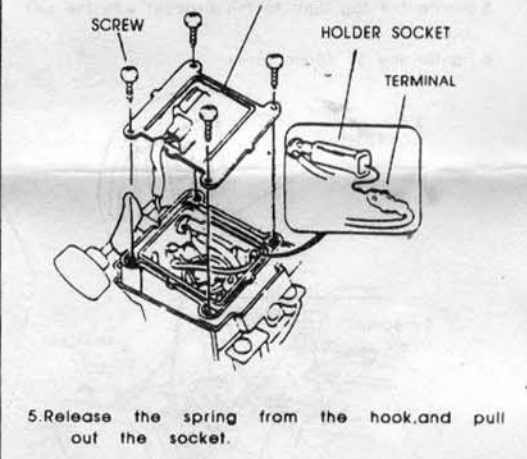
BULB REPLACEMENT

NOTE:
Do not touch the bulb. Oily or greasy substances on the bulb can shorten its service life due to the heat produced when the bulb is turned on. If the bulb is accidentally touched, wipe it clean with a clean, soft cloth that has been dampened with a denatured alcohol or a mild detergent solution.

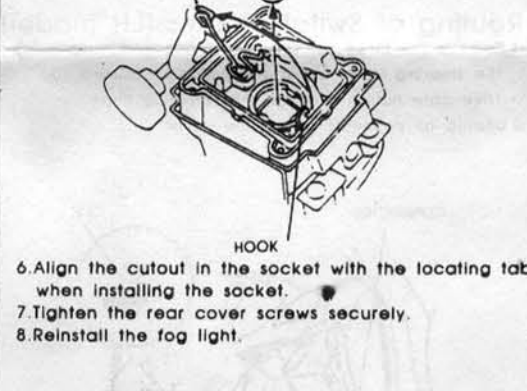
- 1 Remove the fog light (one hex bolt, and gently pull toward you).
- 2 Disconnect the connector.



- 3 Remove the rear cover (four screws).
- 4 Unplug the terminal from the holder socket.



- 5 Release the spring from the hook and pull out the socket.



- 6 Align the cutout in the socket with the locating tab when installing the socket.
- 7 Tighten the rear cover screws securely.
- 8 Reinstall the fog light.

SPECIFICATIONS

- halogen fog light H3 bulb 55W
- Fuse 15A